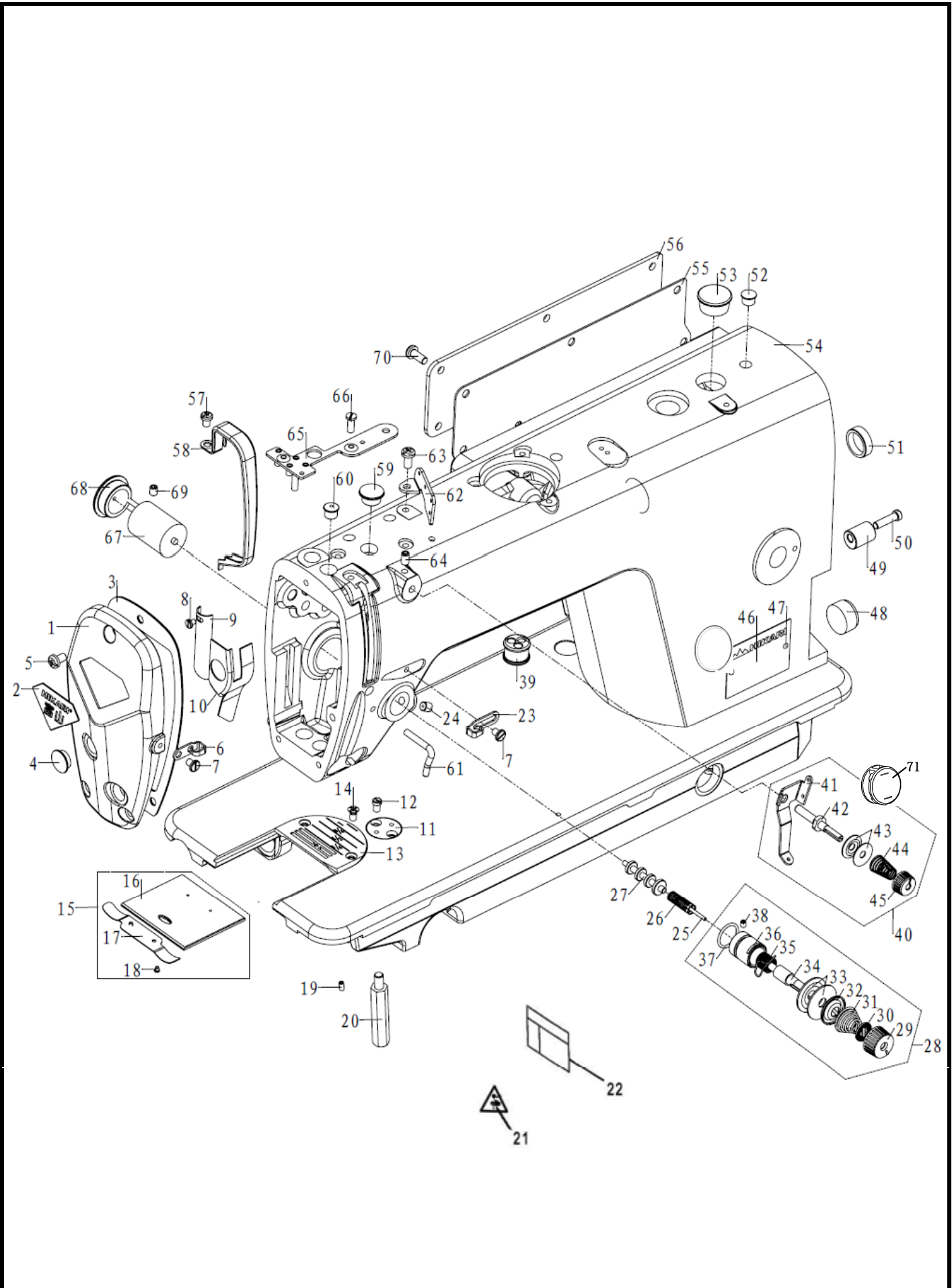


H9300  
零件手册  
PARTS BOOK

## 目录/Contents

1. 机壳部件 /Machine frame&miscellaneous cover com.onents .....	1
2. 上轴·挑线部件/Main shaft&Thread take-u. lever com.onents .....	5
3. 针杆·竖轴·下轴部件/Needle bar,u.right shaft&hook driving shaft com.onents.....	7
4. 压杆部件/Hand lifter com.onents.....	9
5. 送料部件/Feed mechanism com.onents.....	11
6. 自动切线/Thread trimmer com.onents.....	15
7. 自动倒缝部件/Automatic reverse feed com.onents.....	17
8. 驱动部件/Driver com.onents.....	19
9. 润滑·绕线部件/Oil lublication com.onents&bobbin com.onents.....	20
10. 油盘部件/Oil reservoir com.onents.....	22
11. 附件/Accessories.....	24
12. 电磁抬压脚装置(选购件).....	26

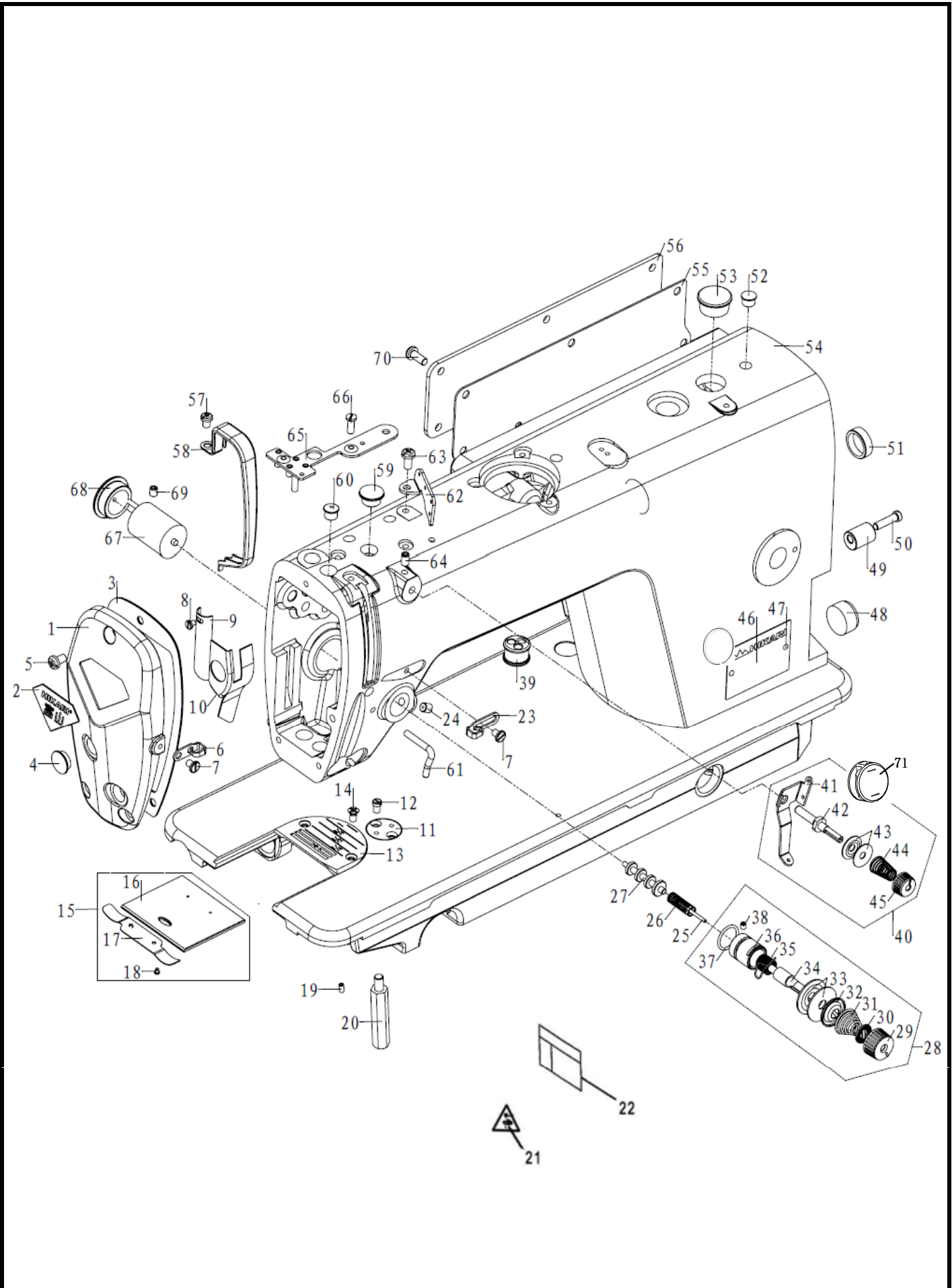
# 1.机壳部件/Machine frame&miscellaneous cover components



## 1.机壳部件/Machine frame&miscellaneous cover components

序号 Ref.No	图号 Part. No	零件名称	Name of parts	数量Qty
				H9300-7D-5
1	132.01-02	面板	Plate	1
2	130.01-13	钻石形面板贴	Plate stick	1
3	132.01-03	面板垫	Plate agsket	1
4	22-12404016	面板孔塞 φ12.4x4xφ16	Rubber plug	2
5	01-405000823-1	螺钉M5×12	Screw	3
6	101.01-32	左线钩	Arm thread guide Left	1
7	02-611400621-1	螺钉 SM11/64x40x6	Screw	2
8	02-608440421-1	螺钉 SM1/8x44x4	Screw	1
9	102.01-04-01	面板防油板	Anti-oil plate	1
10	101.01-04-02	面板防油板油线	Oil wick	1
11	103.01-11	定位座	Ruler stopper	1
12	02-911400621-1	螺钉 SM11/64x40x6	Screw	1
13	130.01-44	针板	Throat plate	1
14	02-211400823-1	针板螺钉 SM11/64x40x8	Screw	2
15	101.01-46	推板组件	Slide plate asm.	1
16	101.01-46-01	推板	Slide plate	1
17	101.01-46-02	推板簧	Bed slide spring	1
18	02-606560221-3	螺钉 SM3/32x56x2	Screw	2
20	128.01-09	底板支柱	Bed screw stud	2
21	201.02-10	安全指示牌	Safety lable	1
22	101.01-13	安全指示牌	Safety lable	1
23	101.01-25	右线钩	Arm thread guide Right	1
24	02-815280711-1	螺钉 SM15/64x28x7	Screw	1
25	101.01-27	松线钉	Loose lire nail	1
26	101.04-24	松线辅钉弹簧	Loose wire nail spring	1
27	130.04-32	松线顶销	Loose lire pin	1
28	101.01-27	夹线器组件	Thread tension asm.	1
29	101.01-27-01	夹线螺母	Tension nut	1
30	101.01-27-02	夹线制动板	Rotating stopper	1
31	101.01-27-03	夹线簧	Tension spring	1
32	101.01-27-04	松线板	Thread tension disk presser	1
33	101.01-27-05	夹线板	Thread tension disk	2
34	101.01-27-06	夹线螺钉	Tension post	1
35	101.01-27-07	挑线簧	Take-up spring	1
36	101.01-27-09	挑线簧调节座	Tension post socket	1
37	12-137160	O型圈 φ13.7xφ1.6	Rubber ring	1
38	02-909400421-1	螺钉 SM9/64x40x4	Screw	1
39	133.01-02	导线过线套	Rubber plug	1
40	130.02-01	调线夹线器组件	Thread tension asm.	1
41	110.01-23G	调线过线板	Thread tension guide	1

# 1.机壳部件/Machine frame&miscellaneous cover components



## 1.机壳部件/Machine frame&miscellaneous cover components

序号 Ref.No	图号 Part. No	零件名称	Name of parts	数量Qty
				H9300-7D-5
42	110.01-21-01G	调线夹线螺钉	Thread tension post	1
43	101.01-21-03	小夹线板	Thread tension disk	2
44	101.01-21-04	小夹线簧	Thread tension spring	1
45	101.01-21-05	小夹线螺母	Thread tension nut	1
46	H0-004	综合型号牌	Model plate	1
47	17-3200500-5	型号牌铆钉	Pole	2
48	22-20809024	橡皮塞 $\phi 20.8 \times 9 \times \phi 23.5$	Rubber plug	1
49	102.01-18	倒送料扳手定位套	Reverse feed lever stopper	1
50	02-512321821-1	螺钉 SM3/16x32x18	Screw	1
51	22-20006000	密封垫	Rubber plug	1
52	22-08506011	孔塞 $\phi 8.5 \times 6 \times \phi 10.5$	Rubber plug	4
53	22-20809024	橡皮塞 $\phi 20.8 \times 9 \times \phi 23.5$	Rubber plug	1
54	133.01-01	机壳组件	Machine cover	1
55	132.01-05	后窗板密封垫	Gasket	1
56	132.01-04	后窗板	Side plate	1
57	01-405000623-1	螺钉M5×6	Screw	1
58	101.01-23G	挑线杆防护罩	Thread take-up lever cover	1
59	22-12507017	孔塞 $\phi 12.5 \times 7 \times \phi 17$	Rubber plug	1
60	22-08506511	孔塞 $\phi 8.5 \times 6.5 \times \phi 10.5$	Rubber plug	1
61	421.12-29	缓线调节钩	Presser bar thread guide	1
62	110.01-07	面线过线板	Spool pin	1
63	01-405000623-1	螺钉M5×6	Screw	1
64	01-805000814-1	螺钉M5x8	Screw	1
65	128.02-05	油线支架组件	oil line support	1
66	02-309401122-1	十字槽圆头螺钉	Screw	2
67	SD-02A	松线电磁铁	Loose wire electromagnet	1
68	22-25007030	橡胶塞	Rubber plug	1
69	01-805000614-1	螺钉M5x6	Screw	1
70	01-405001223-1	螺钉M5x12	Screw	12
71	103.08-59	油量视窗	Fuel volume window	1

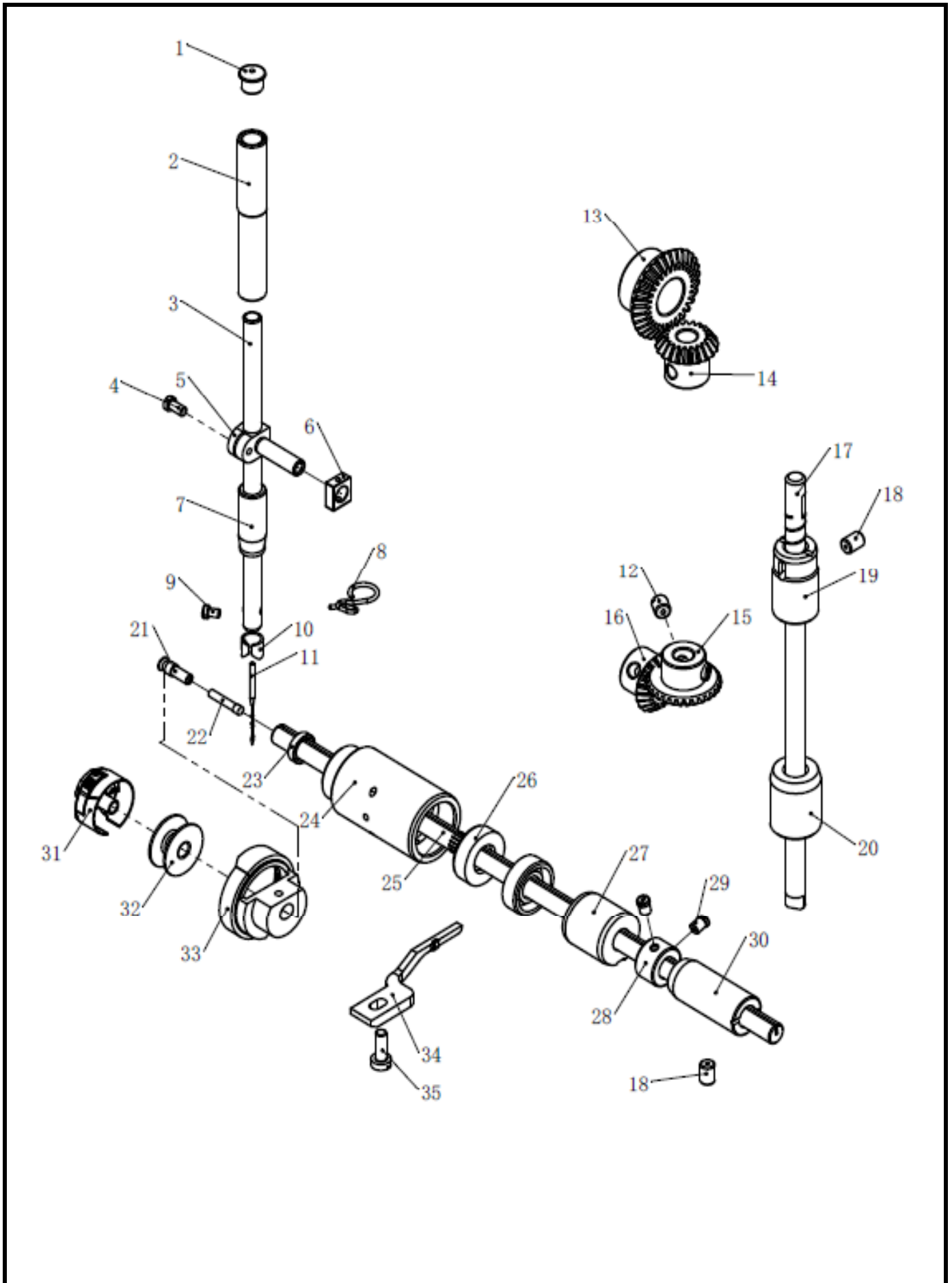


## 2.上轴·挑线部件/Main shaft&Thread take-up lever components

序号 Ref.No	图号 Part. No	零件名称	Name of parts	数量Qty
				H9300-7D-5
1	128.02-04	挑线杆大组件	Thread take-up lever big asm	1
2	02-815281014-1	螺钉 SM15/64x28x11	Screw	1
3	101.02-05	橡皮套	Rubber	1
4	102.02-15A	针杆曲柄	Needle bar crank	1
5	02-818281651-1	螺钉 SM9/32x28x16	Screw	1
6	02-418281531-1	螺钉 SM9/32x28x15	Screw	1
7	02-816400611-1	螺钉 SM1/4x40x6	Screw	2
8	101.02-19	上轴前轴套	Main shaft front bushing	1
9	102.02-27	上轴中轴套	Bushing,intermediate	1
11	102.02-23	上轴挡圈	Collar	1
12	02-816400811-1	螺钉 SM1/4x40x8	Screw	2
13	101.02-12	送料偏心轮	Feed drive eccentric cam	1
14	10-1851320-1	挡圈 $\phi 18.5 \times 1.3$	Snap ring	1
15	02-516401111-1	螺钉 SM1/4x40x11	Screw	2
16	101.02-32	送料偏心轴盖板	Thrust collar	1
17	02-209400821-1	螺钉 SM9/64x40x8	Screw	2
18	13-14550550	上轴油封 $\phi 14.5 \times 5 \times \phi 55$	Oil seal	1
19	102.02-44-00	连轴器(1) 组件配轴承	Bearing	1
20	124.02-48	连轴器(2)	Linker(1)	1
21	01-806750814-1	螺钉 M6x0.75x8	Screw	6
22	22-07014012	橡胶塞	Rubber plug	1
23	102.02-38G	上轴	Main shaft	1
24	128.02-11	手轮组件	Hand wheel	1
25	02-815281014-1	螺钉 SM15/64x28x10	Screw	2



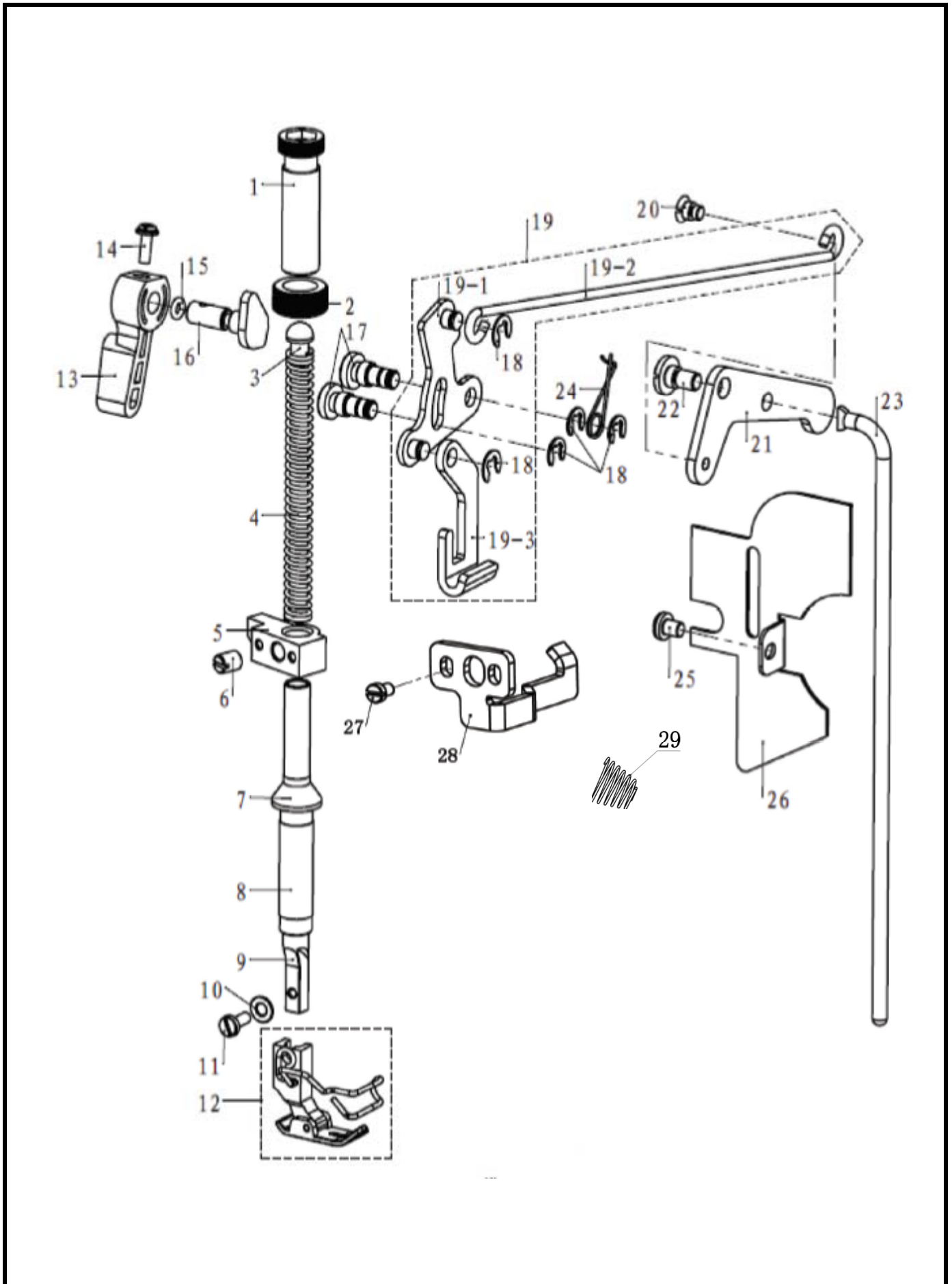
### 3.针杆·竖轴·下轴部件/Needle bar,upright shaft&hook driving shaft components



### 3.针杆·竖轴·下轴部件/Needle bar,upright shaft&hook driving shaft components

序号 Ref.No	图号 Part. No	零件名称	Name of parts	数量Qty
				H9300-7D-5
1	22-08506511	橡胶塞 φ8.5x6.5xφ10.5	Cap	1
2	101.03-02	针杆上套	Needle bar bushing (upper)	1
3	101.03-03	针杆	Needle bar	1
4	02-509400721-1	螺钉 SM9/64x40x5	Screw	1
5	102.03-04A	针杆连接柱	Needle rod holder	1
6	102.03-06A	针杆连接柱滑块	Slide block	1
7	121.03-08	针杆下套	Needle bar bushing (lower)	1
8	101.13-08	针杆下套线钩	Needle bar thread guide	1
9	02-508440521-1	螺钉 SM1/8x44x5	Screw	1
10	101.03-10	针杆线钩	Needle bar thread guide	1
11	8020302	机针DB_1-14	Needle	1
12	02-816400711-1	螺钉 SM1/4x40x7	Screw	8
13	101.03-12	上轴伞齿轮	Conical gear	1
14	101.03-14	竖轴上伞齿轮	Conical gear	1
15	122.03-16	竖轴下伞齿轮	Gear	1
16	101.03-18	下轴伞齿轮	Conical gear	1
17	101.03-20	竖轴	Upright shaft	1
18	02-815280814-1	螺钉 SM15/64x28x8	Screw	2
19	101.03-21	竖轴上轴套	Upright shaft bushing (upper)	1
20	101.03-23	竖轴下轴套	Upright shaft bushing (lower)	1
21	102.03-40	下轴限油螺钉	Oil seal screw	1
22	101.03-35A	下轴限油芯	Oil wick	1
23	13-07230120	油封7.2x3x12	Grease seal	1
24	130.03-08	下轴前轴套	Lower shaft bushing	1
25	102.03-31	下轴	Lower shaft	1
26	13-07270220	油封7.2x7x22	Grease seal	2
27	130.03-03	下轴中轴套	Bushing (intermediate)	1
28	101.03-26	下轴挡圈	Thrust collar	1
29	02-511400511-1	螺钉 SM11/64x40x5	Screw	2
30	101.03-24	下轴后轴套	Bushing rear	1
31	122.03-37-02	梭壳	Bobbin case	1
32	101.03-37-02	梭心	Bobbin	1
33	101.03-36-02	广濑电脑旋梭	Hook	1
34	108.07-14	旋梭定位钩	Bobbin case holder	1
35	02-511401221-1	螺钉 SM11/64x40x12	Screw	1

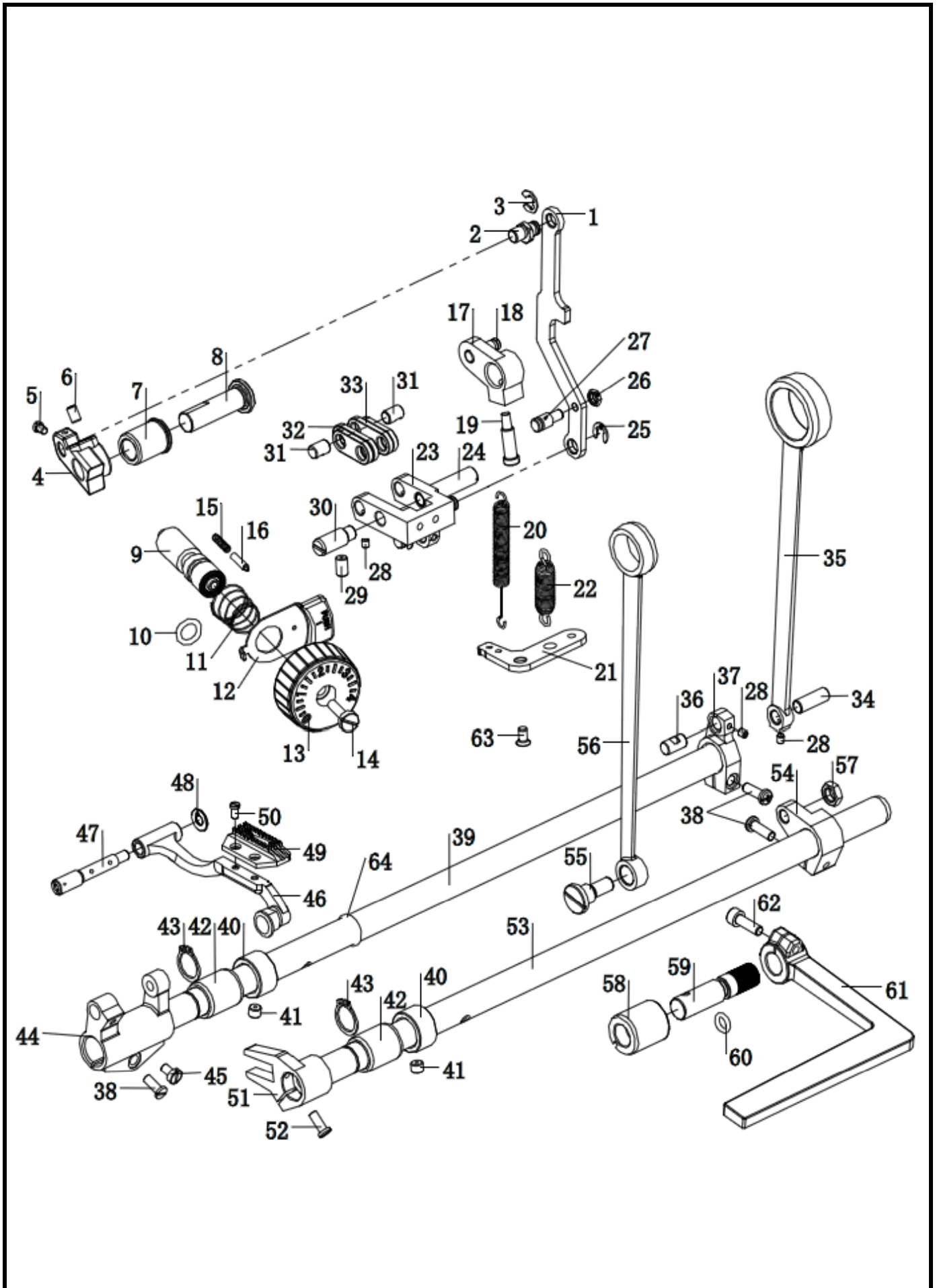
#### 4.压杆部件/Hand lifter components



#### 4.压杆部件/Hand lifter components

序号 Ref.No	图号 Part. No	零件名称	Name of parts	数量Qty
				H9300-7D-5
1	101.04-32	调压螺钉	Presser spring regulator	1
2	101.04-31	调压螺母	Presser adjusting screw nut	1
3	101.04-40	调压导杆	Presser guide bar	1
4	101.04-33	调压簧	Presser adjusting spring	1
5	101.04-34	压杆导架	Presser bar guide bracket	1
6	02-816400811-1	螺钉 SM1/4x40x8	Screw	1
7	101.04-41	防油伞	Rubber	1
8	101.04-05	压杆轴套	Presser bar bushing	1
9	101.04-35	压杆	Presser bar	1
10	05-043080900-1	平垫片 $\phi 4.3 \times 0.8 \times \phi 9$	Washer	1
11	02-509401021-1	螺钉 SM9/64x40x11	Screw	1
12	101.04-09A	活压脚组件	Presser foot asm.	1
13	101.04-01	压脚扳手	Hand lifter	1
14	19-409401023-1	螺钉 SM9/64x40x10	Screw	1
15	12-038180	O型圈 $\phi 3.8 \times \phi 1.8$	Rubber ring	1
16	101.04-04	压脚扳手凸轮组件	Hand lifter cam asm.	1
17	102.04-07	前杠杆螺纹销	Link shaft	2
18	06-0500810-1	开口挡圈 $\phi 5 \times \phi 10 \times 0.8$	E-ring	5
19	101.04-39	前杠杆组件	Knee lifting cross rod asm.	1
19-1	101.04-39-01	抬压脚前杠杆小组件	Hand lifter link asm.	1
19-2	101.04-39-05	抬压脚拉杆	Knee lifting cross rod	1
19-3	101.04-39-03	压脚升降板	Lifting lever	1
20	101.04-11	活压脚压杆螺钉	Hinge screw	1
21	132.03-02	抬压脚后杠杆	Lifting lever link	1
22	101.04-12	后杠杆轴位螺钉	Hinge screw	1
23	126.04-01	抬压脚顶杆	Knee lifter connecting rod	1
24	130.04-34	前杠杆复位簧	Front lever reset spring	1
25	02-412280623-1	螺钉 SM3/16x28x6	Screw	1
26	132.03-01	挡油板	Break oil	1
27	02-509400721-1	螺钉	Screw	2
28	130.04-31	松线板	Thread tension disk presser	1
29	101.01-21-04	小夹线簧	Spring	1

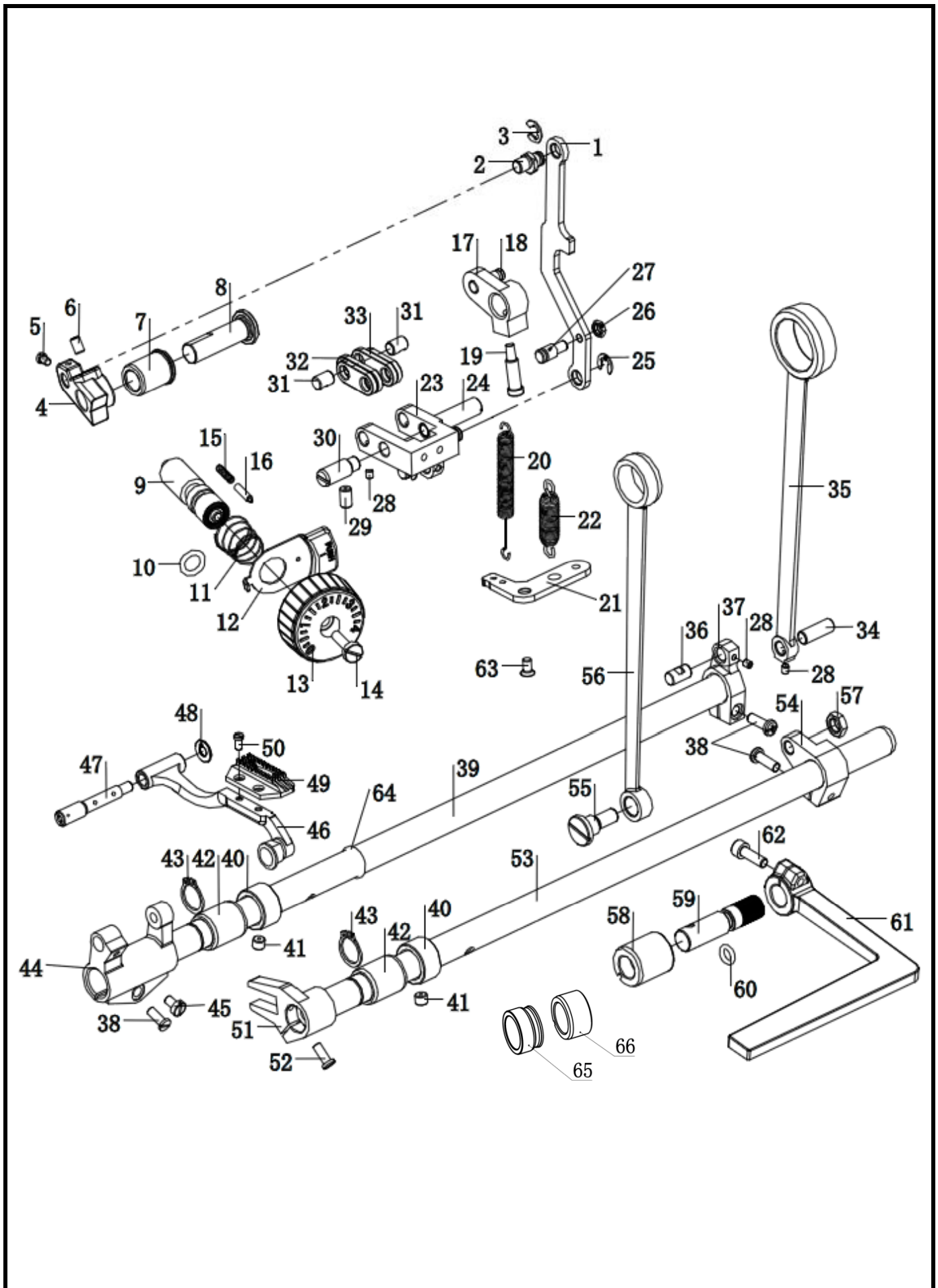
## 5.送料部件/Feed mechanism components



## 5.送料部件/Feed mechanism components

序号 Ref.No	图号 Part. No	零件名称	Name of parts	数量Qty
				H9300-7D-5
1	126.05-21	倒送料连杆	Feed adjust rod	1
2	102.05-02	倒送料连杆销	Feed regulator pin	1
3	06-0601012-1	开口挡圈 φ6x1xφ12	E-ring	1
4	132.05-01	送料调节器	Feed regulator	1
5	02-509400621-1	螺钉 SM9/64x40x6	Screw	2
6	01-805000814-1	螺钉M5×8	Screw	2
7	101.05-05	送料调节器轴套	Feed regulator bushing	1
8	132.05-02	调节器轴	Regulator shaft	1
9	102.05-07	送料距调节螺栓	Feed regulator screw	1
10	12-095265	O型圈 φ9.5xφ2.65	Rubber ring	1
11	124.05-07	送料距锁合销压板簧	Spring	1
12	124.05-08	送料距锁合销压板	Feed plate	1
13	126.05-10	送料距旋钮	Feed dial	1
14	02-512281821-1	螺钉 SM3/16x28x18	Screw	1
15	124.05-06	送料距锁合簧	Spring	1
16	124.05-09A	送料距锁合销	Feed adjust pin	1
17	126.05-19-01	倒送料曲柄	Feed reverse arm	1
18	126.05-03-01	倒送料曲柄销	Pin	1
19	02-816401634-1	螺钉 SM1/4x40x20	Screw	1
20	126.05-17	倒送料拉簧	Feed reverse spring	1
21	133.05-01	拉簧固定板	Feed spring hood	1
22	131.05-04	倒缝复位簧	Spring	1
23	101.05-27A	摆动板座组件	Feed adjust link asm.	1
24	102.05-28-01	摆动板座销钉(长)	Adjusting link fulcrum shaft	1
25	06-0500611-1	开口挡圈 φ5x0.6xφ11	E-ring	1
26	03-605000370-6	六角螺母M5×3.7	Nut	1
27	126.05-20	倒缝弹簧销	Spring pin	1
28	02-809400424-1	螺钉 SM9/64x40x4	Screw	4
29	02-815281014-1	螺钉 SM15/64x28x11	Screw	2
30	101.05-28	摆动板座销钉(短)	Adjusting link fulcrum shaft	1
31	101.05-24	短摆动板连接销	Walking foot short pin	2
32	101.05-25	送料长摆动板	Connecting link long pin	2
33	101.05-26	送料短摆动板	Connecting link short pin	2
34	101.05-13	送料连杆销	Walking foot long pin	1
35	101.05-12	送料连杆	Rocker shaft connecting rod	1
36	101.05-40	送料曲柄销	Walking foot middle pin	1
37	101.05-43	送料曲柄	Feed rocker shaft crank	1
38	02-412281423-1	螺钉 SM3/16x28x14	Screw	3
39	130.05-22	送料轴	Feed rocker shaft	1
40	101.02-17	上轴挡圈	Thrust collar	2
41	02-816400514-1	螺钉 SM1/4x40x5	Screw	4
42	130.05-20	送料轴左套	Feed rocker shaft bushing	2

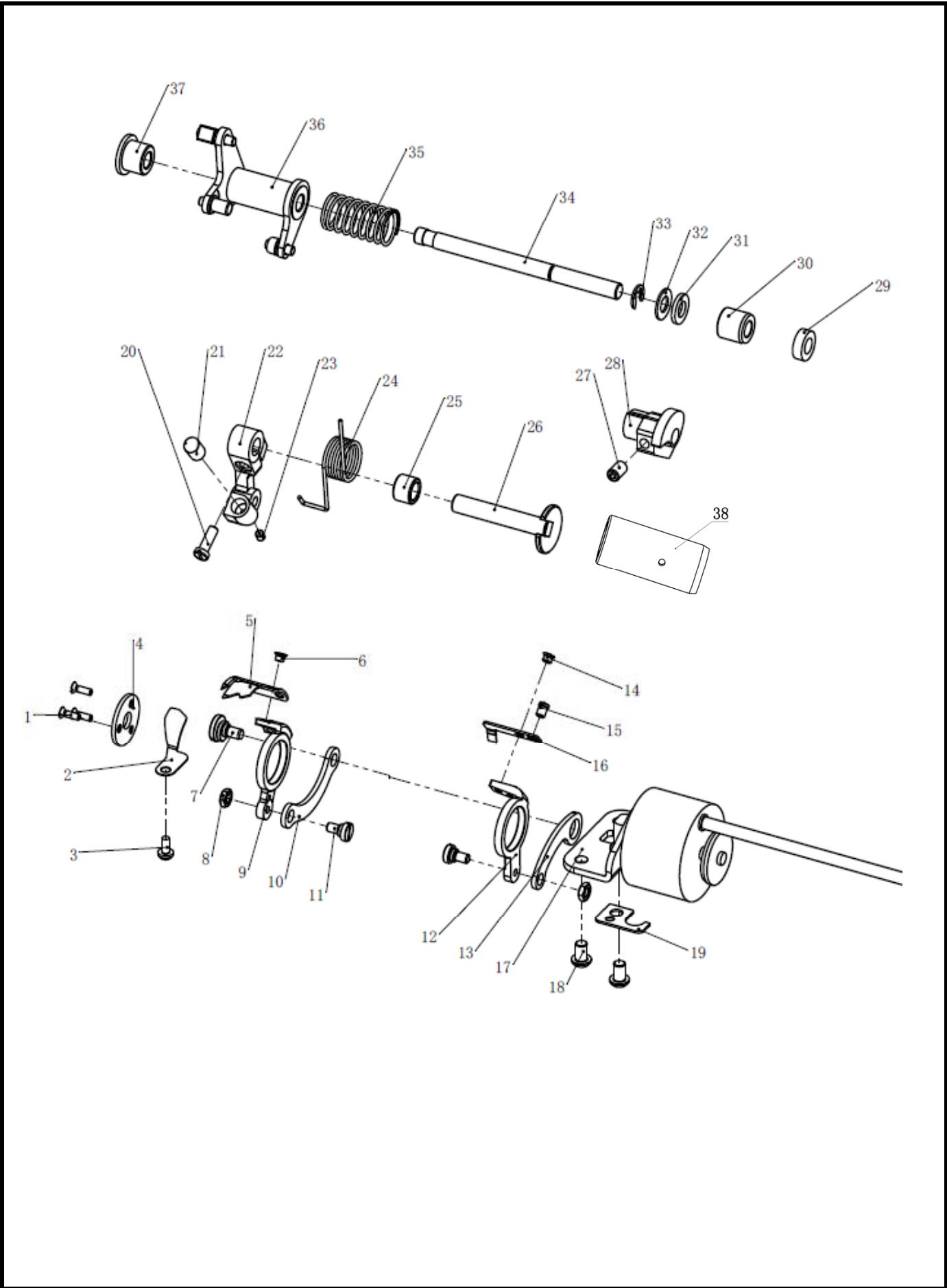
## 5.送料部件/Feed mechanism components



5.送料部件/Feed mechanism components				
序号 Ref.No	图号 Part. No	零件名称	Name of parts	数量Qty
				H9300-7D-5
43	10-1381017-1	轴用弹性挡圈 $\phi 13.8 \times 1$	Retaining ring	2
44	101.05-55	牙架座	Feed bar crank	1
45	02-511400721-1	螺钉 SM11/64x40x7	Screw	1
46	101.05-35	牙架组件	Feed bar asm.	1
47	130.05-31	牙架销	Feed bar shaft pin	1
48	05-051081203-5	垫圈 $\phi 5.1 \times 0.8 \times \phi 12$	Washer	1
49	130.05-33	送料牙	Feed dog	1
50	02-608440621-1	螺钉 SM1/8x44x6	Screw	2
51	101.05-57	抬牙叉曲柄	Driving shaft crank	1
52	02-411401121-1	螺钉 SM11/64x40x11	Screw	1
53	130.05-21	抬牙轴	Feed driving shaft	1
54	101.05-45	抬牙后曲柄	Lifting crank (back)	1
55	101.05-47	螺钉	Hinge screw	1
56	101.05-15	抬牙连杆	Connecting rod	1
57	04-618280400-1	螺母 SM9/32x28x4	Nut	1
58	102.05-65	倒送料轴套	Feed lever bushing	1
59	126.05-04	倒送料轴	Feed reverse shaft	1
60	12-062240	O型圈 $\phi 6.2 \times \phi 2.4$	Rubber ring	1
61	126.05-05	倒送料扳手	Reverse feed control lever	1
62	01-505001624-1	螺钉 M5x16	Screw	1
63	02-211400821-1	一字槽半沉头螺钉	Screw	1
64	12-125240	O型橡胶密封圈	Rubber ring	4
65	13-14312210	油封	Oil seal	2
66	130.05-25	送料轴中轴套	Axle sleeve	2



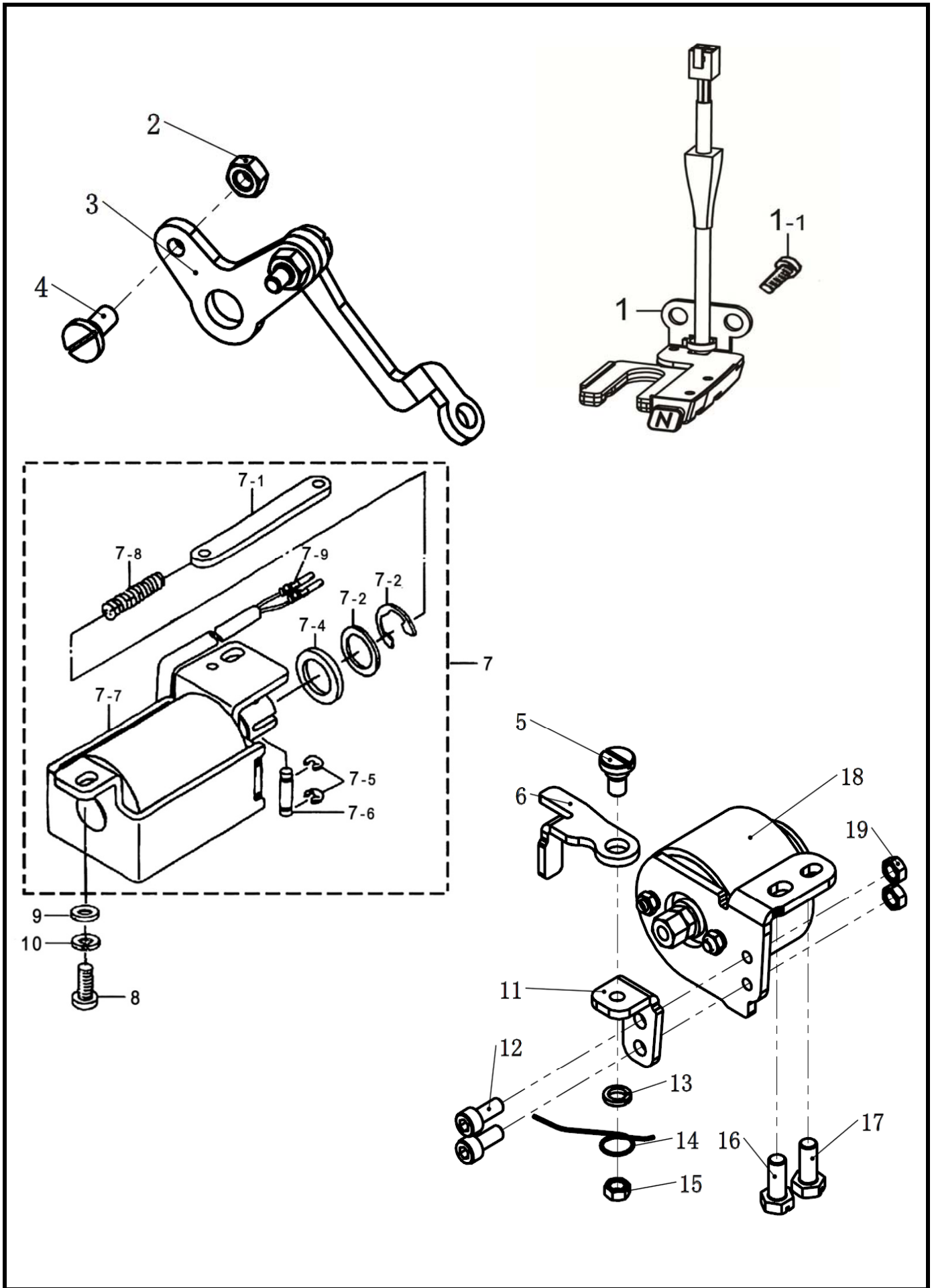
6.自动切线/Thread trimmer components



## 6.自动切线/Thread trimmer components

序号 Ref.No	图号 Part. No	零件名称	Name of parts	数量Qty
				H9300-7D-5
1	01-103001021-1	螺钉	Screw	3
2	130.06-23	分线器	Protect needle patch	1
3	19-509400821-1	螺钉	Screw	1
4	103.11-13	切线架压板	Partiality shank	1
5	130.06-33	下切刀	Knife U	1
6	02-111400524-1	螺钉	Screw	2
7	130.06-37	偏心销	Shaft pin	1
8	04-611400300-1	六角螺母	Nut	2
9	130.06-34	下切刀架	Knife bracket	1
10	102.06-15	刀轴连杆	Knife shaft connecting rod	1
11	130.06-36	连杆螺钉	Screw	1
12	130.06-31	上切刀架	Knife bracket	1
13	130.06-32	上切刀连杆	Knifeconnecting rod	1
14	02-111400424-1	螺钉	Screw	1
15	02-511400621-1	螺钉	Screw	1
16	130.06-30	上切刀	Knife	1
17	QD-02F	电磁铁剪线组件	Thread trimmer solenoid	1
18	02-315280921-1	螺钉	Screw	2
19	130.06-26	压线片	Washer	1
20	02-512321524-1	内六角圆柱头螺钉	Screw	1
21	103.11-09-06G	止动块	Stop block	1
22	130.06-38	切刀驱动曲柄	Thread shear rock crank	1
23	01-804000414-1	螺钉M4×6	Screw	1
24	130.06-26	切线复位簧	Spring	1
25	102.06-23	驱动曲柄轴短套	Short bush	1
26	130.06-22	切刀驱动曲柄轴	Thread shear rock arm shaft	1
27	02-816401014-1	螺钉	Screw	2
28	103.11-01	切线凸轮曲柄	Thread shear rock arm shaft	1
29	13-08050150	油封D8×D15×5	Grease seal	1
30	130.06-29	切刀驱动轴套	Axle sleeve	1
31	102.06-33	电磁铁缓冲垫	Magnetic plug cushion mat	1
32	05-081101550-1	平垫片	Flat gasket	1
33	06-0601012-1	挡圈	E-ring	1
34	130.06-09	切刀驱动轴	Thread shear shaft	1
35	102.06-32	切线凸轮复位弹簧	Spring	1
36	102.06-26-1	切线凸轮曲柄	Thread shear rock arm shaft	1
37	102.06-31	扭簧端盖	Spring cover	1
38	130.06-35	切线轴套	Axle sleeve	1

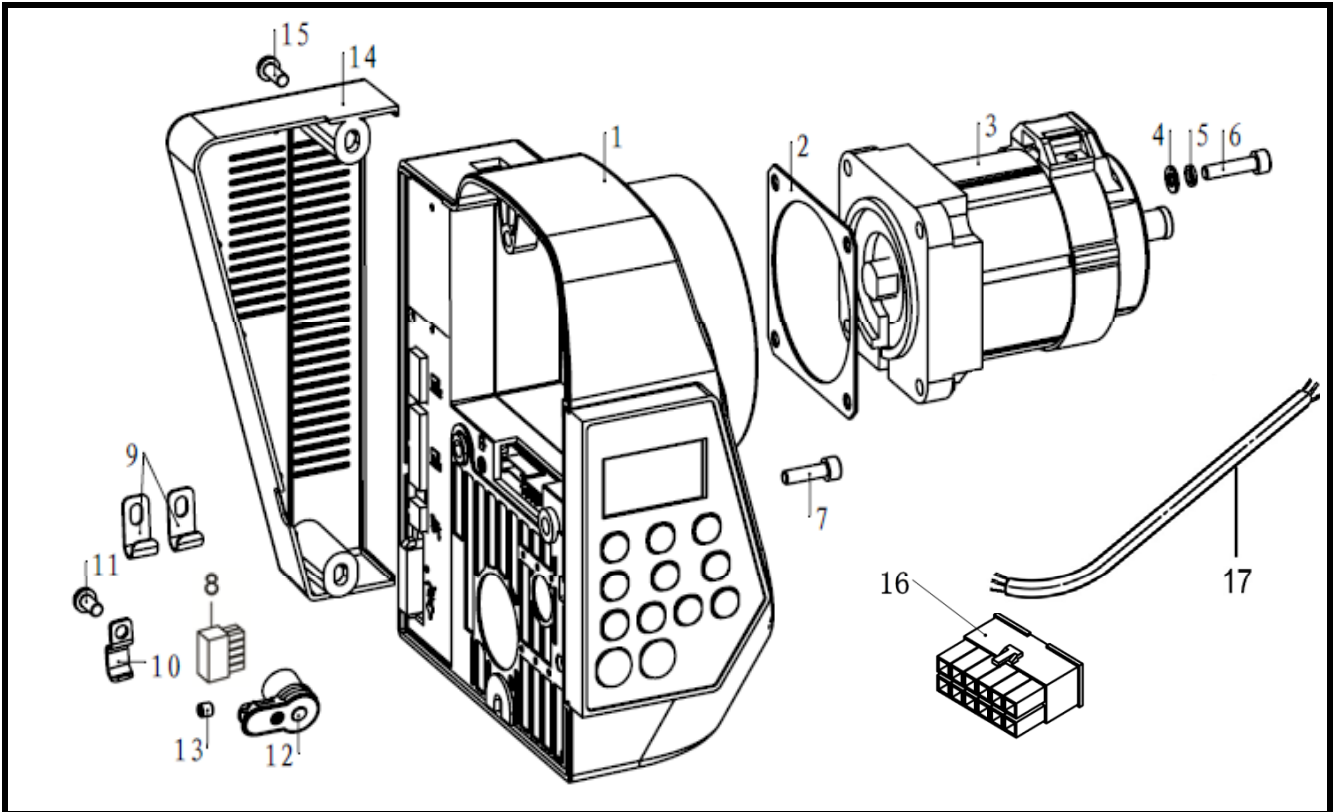
## 7.自动倒缝部件/Automatic reverse feed components



## 7.自动倒缝部件/Automatic reverse feed components

序号 Ref.No	图号 Part. No	零件名称	Name of parts	数量Qty
				H9300-7D-5
1	DL09-00/01	倒缝灯组件	Reverse switch asm.	1
1-1	01-405001023-1	螺钉M5×10	Screw	2
2	03-606000500-1	螺母	Nut	2
3	133.07-06	倒缝曲柄组件	Inverted Crank Assembly	1
4	133.07-06-02	轴位螺钉	Shaft screw	1
5	133.07-06-01	短轴螺钉	Shaft screw	1
6	133.05-02	顶杆	Knock-out pin	1
7	DD-27	倒缝电磁铁组件	Reverse feed asm	1
7-1	DD12-01-0A0	倒缝铁芯连杆	Reverse feed connecting link	1
7-2	102.07-32-02	倒缝铁芯挡圈	E-ring	1
7-3	102.07-32-03	垫片	Washer 16X24X2.6	1
7-4	102.07-32-04	橡胶垫片	Rubber Plunger	1
7-5	102.07-32-05	连接销卡簧	E-ring	2
7-6	102.07-32-06	倒缝铁芯连接销	Plunger arm Pin	1
7-7	DD27-01-0A0	倒缝电磁铁	Reverse feed magnet asm.	1
7-8	102.07-32-08	连杆定位簧	Plunger spring	1
7-9	101.07-08-09	导线插针	pin contact	2
8	02-715281521-1	螺钉M5×12	Screw	2
9	05-064161200-1	平垫 φ6.4x1.6xφ12	Washer	2
10	07-0631616-1	弹垫 φ6.3x1.6x1.6	Spring washer	2
11	133.05-03	顶杆固定架	Knock-out pin rack	1
12	01-505001224-1	内六角槽圆柱头螺钉	Screw	2
13	07-0631616-1	弹簧垫圈	Spring washer	1
14	133.05-04	顶杆复位簧	Knock-out pin Spring	1
15	03-606000350-1	六角螺母	Nut	2
16	02-715281521-1	一字槽六角头螺钉	Screw	1
	07-0521313-1	弹簧垫圈	Spring washer	1
	05-064161200-1	平垫片	Washer	1
17	02-711401221-1	开槽六角头螺钉	Screw	1
	07-0521313-1	弹簧垫圈	Spring washer	1
	05-045080900-1	平垫片	Washer	1
18	133.05-05	密针电磁铁	Dense needle electromagnet	1
19	03-605000400-1	六角螺母	Nut	1

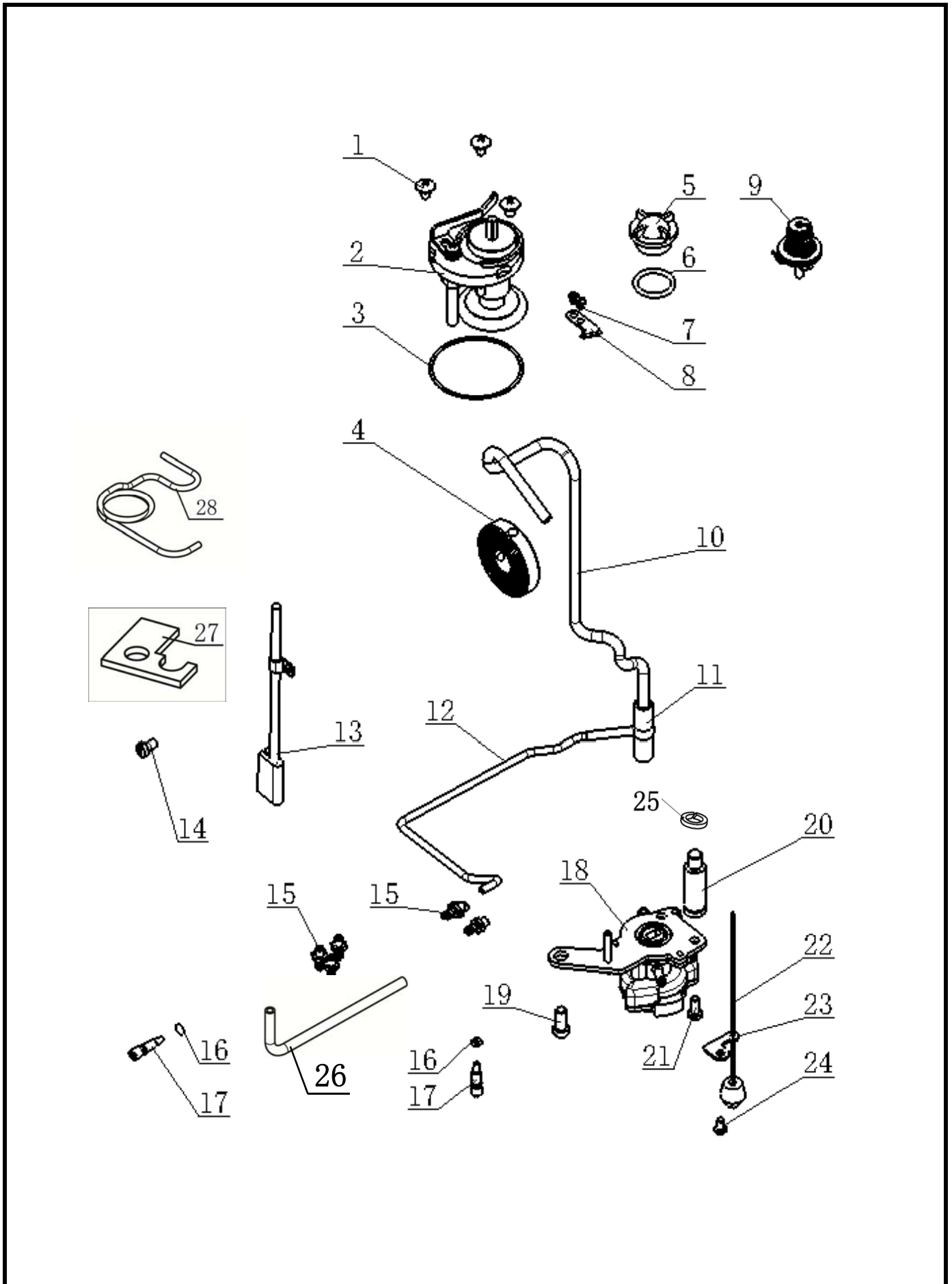
## 8.驱动部件/Driver components



## 8.驱动部件/Driver components

序号 Ref.No	图号 Part. No	零件名称	Name of parts	数量Qty
				H9300-7D-5
1	CB-27D	电控组件	Control asm.	1
2	128.08-05	电机密封垫	Washer	1
3	MO-02D-550	电机组件	Motor asm.	1
4	05-053101000-1	平垫片	Washer	4
5	07-0521313-1	弹簧垫圈	Spring washer	4
6	01-505002224-1	螺钉	Screw	4
7	01-505001824-1	螺钉	Screw	4
8	30035574	插头HX42000-14R	Screw	1
9	126.01-06	线夹	Clamp	2
10	103.18-04	线夹	Clamp	1
11	01-405000823-1	螺钉M5×8	Screw	1
12	JD-02F	起针夹线器	Thread tension solenoid asr	1
13	01-805000614-1	螺钉M5×6	Connector	1
14	132.08-01	电线罩	Wire hood	1
15	01-405001023-1	螺钉M5x10	three piece combined screw	2
16	30035575	插头HX42000-12R	Plug	1
17	X-132-01	控速器转接线	WIRE	1

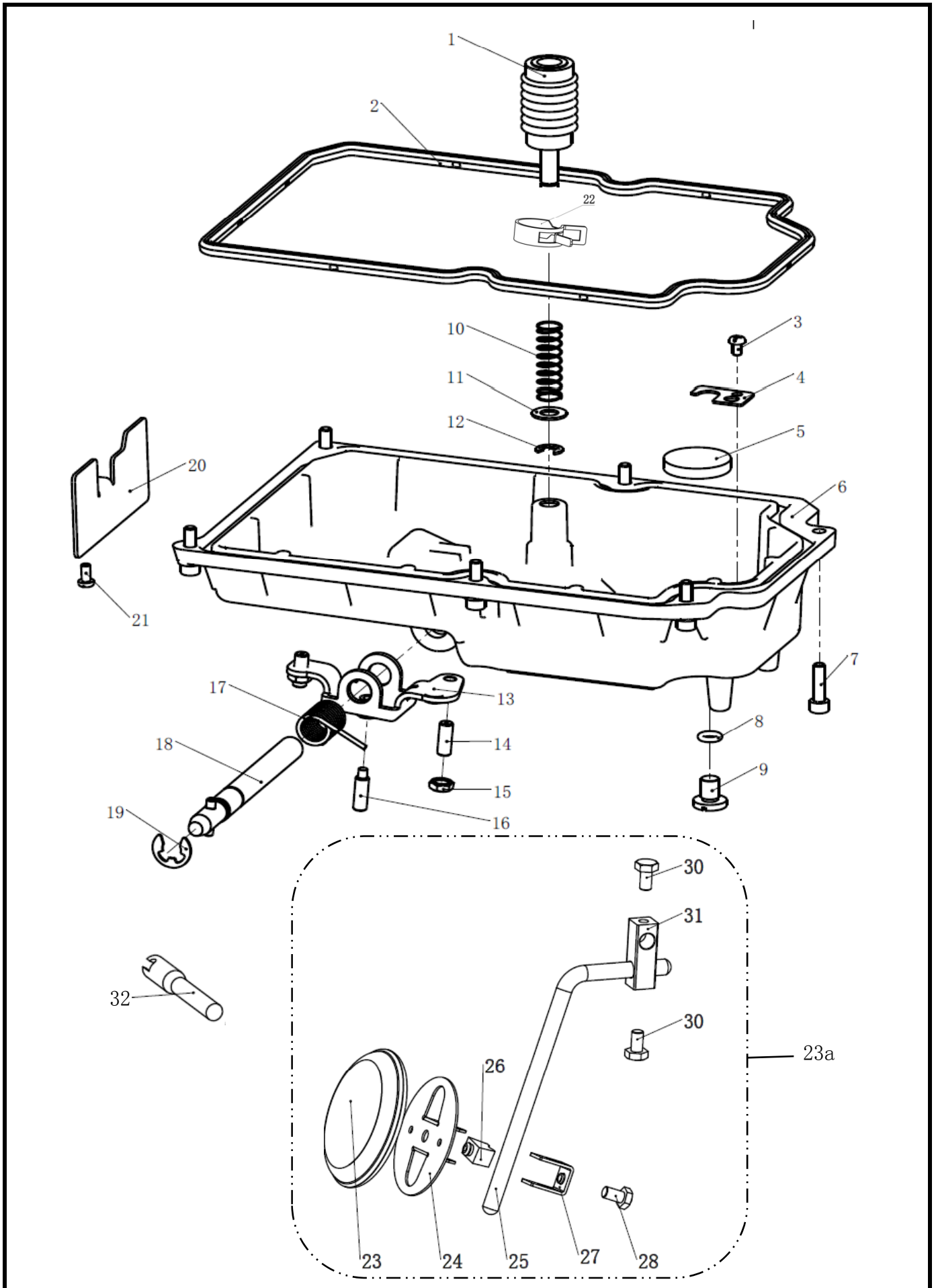
9. 润滑·绕线部件/Oil lubrication components&bobbin components



## 9、润滑·绕线部件/Oil lubrication components&bobbins components

序号 Ref.No	图号 Part. No	零件名称	Name of parts	数量Qty
				H9300-7D-5
1	02-312320722-3	螺钉 SM3/16×28×7	Screw	3
2	102.09-32A	绕线器组件	Bobbins winder unit	1
3	102.09-42	绕线轮垫圈	Washer	1
4	102.09-37	绕线驱动轮	Bobbins winder driving wheel	1
5	101.09-01	油窗	Oil sight window	1
6	12-190265	油窗O型圈	Rubber ring	1
7	02-509400421-1	螺钉 SM9/64×40×4	Screw	2
8	102.09-34	切刀	Knife	1
9	102.09-36	夹线器组件	Thread tension asm.	1
10	130.09-34	上轴供油管	Main shaft oil tube	1
11	101.09-16	供油管接头	Rubber joint	1
12	130.09-35	旋梭供油管	Oil tube	1
13	126.09-02	回油管组件	Oil Return Pipe Components	1
14	02-412320821-1	螺钉	Screw	1
15	103.08-33	供油口	Oil Feeding pipe	6
16	12-036140	o型圈	Rubber ring	2
17	130.09-09	油量调节螺钉	Oil adjusting screw	2
18	101.09-11	油泵组件	Lubricating oil pump asm.	1
19	02-715281521-1	一字槽六角头螺钉	Screw	1
	07-0631616-1	弹簧垫圈	Spring washer	1
	05-064161200-1	平垫片	Washer	1
20	101.09-13A	油泵连接螺柱	Oil pump support,large	1
21	02-511401221-1	一字槽圆柱头螺钉	Screw	1
	07-0521313-1	弹簧垫圈	Spring washer	1
	05-045080900-1	平垫片	Washer	1
22	130.09-30	测油浮标	Oil measurement buoy	1
23	130.09-31	浮标导板	Buoy guide plate	1
24	01-404000623-1	螺钉	Screw	1
25	07-0631616-1	弹簧垫圈	Spring washer	1
26	103.08-36-1-4C	油管120mm	OIL TUBE, 120mm	3
27	126.09-03	油毡	Oil felt	1
28	126.09-04	油毡夹	Oil felt presser	1

# 10.油盘部件/Oil reservoir components

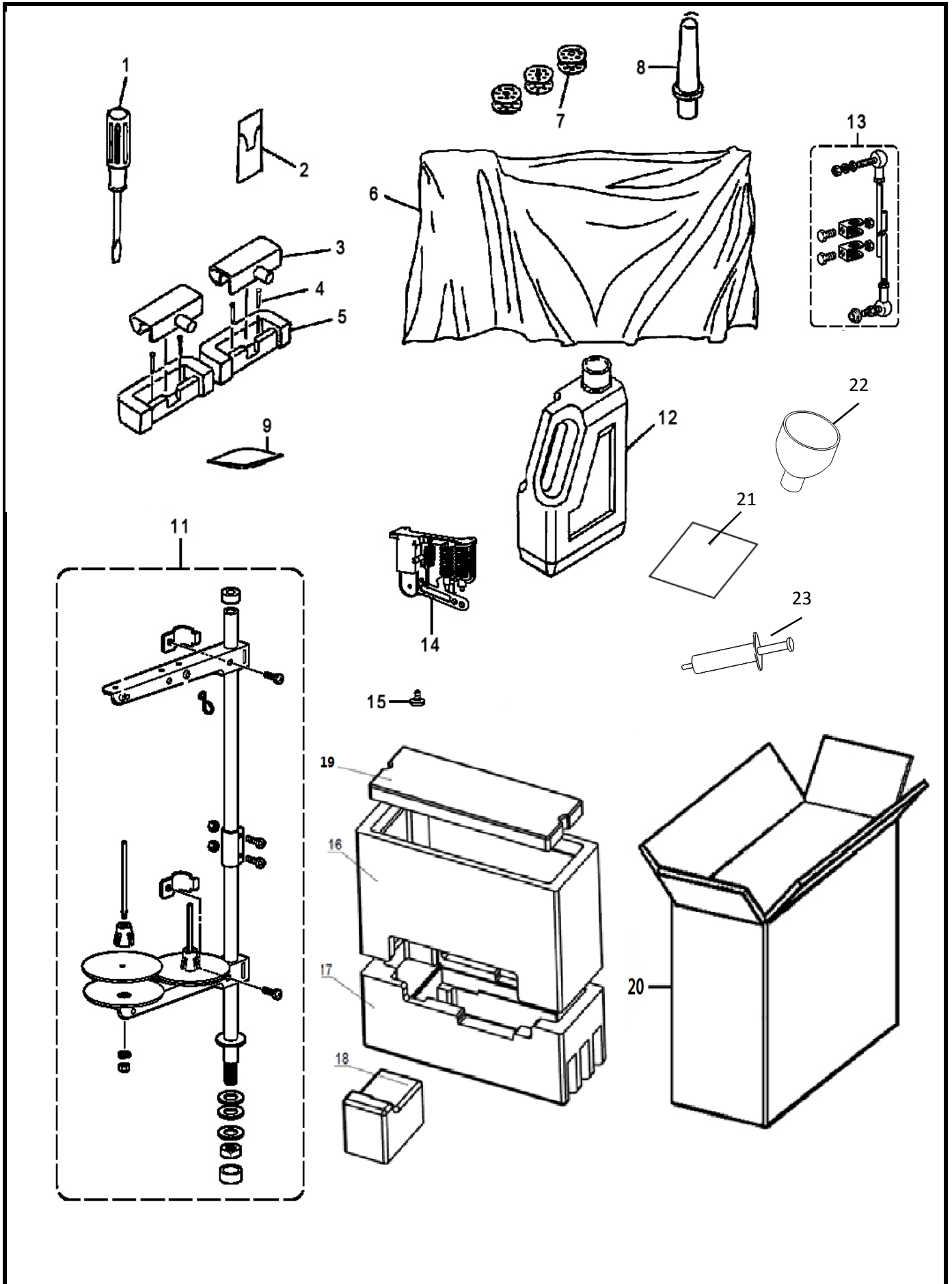




## 10.油盘部件/Oil reservoir components

序号 Ref.No	图号 Part. No	零件名称	Name of parts	数量Qty
				H9300-7D-5
1	130.04-13	膝控顶杆		1
2	130.09-33	橡胶密封圈	Rubber ring	1
3	01-404000623-1	螺钉M4×6	Screw	3
4	130.06-26	压线片	Washer	1
5	130.09-10	磁铁	magnet	1
6	130.09-32	底板油盘	Oil reservoir	1
7	01-505001824-1	螺钉M5×18	Screw	9
8	12-062240	o型6.2×2.4	Rubber ring	1
9	01-608001121-1	螺钉M8×10	Screw	1
10	130.04-33	膝控顶杆复位簧	Spring	1
11	05-081101553-5	平垫片8.1×1.0×15.5	Washer	1
12	06-0601012-1	开口挡圈6×1.0×12	E-ring	1
13	101.10-05-01	抬压脚双向曲柄	Knee lifting rotating arm	1
14	01-806001614-1	螺钉M6×16	Screw	2
15	03-606000350-1	六角螺母	Nut	3
16	01-806002034-1	螺钉M6×20	Screw	1
17	128.09-27	双向曲柄扭簧	Spring	1
18	128.04-30	膝控抬压脚轴	Knee press cross shaft	1
19	06-0901018-1	开口挡圈9×1.0×16	E-ring	1
20	130.09-36	挡油板	Oil ballfe	1
21	01-404000823-1	螺钉M4×8	Screw	2
22	130.09-41	油管夹	Clip	1
23a	123.03-15	膝控操纵杆接头	Knee lifter bar asm.	1
23	101.10-06-01	操纵板软垫	Knee pan plate cover	1
24	101.10-06-04	操纵板	Knee pan plate	1
25	101.10-06-02	操纵杆	Knee pan upright shaft	1
26	101.10-06-03	操纵杆垫	Knee pan plate rubber	1
27	101.10-06-05	操纵杆节头	Knee pan plate support	1
28	101.10-06-06G	节头螺钉	Screw	1
29	123.03-12	膝控连接轴	Knee press cross shaft	1
30	101.10-06-05G	操纵杆节头	Knee pan plate support	2
31	101.10-06-04G	抬压脚操纵杆节头	Knee pan plate support	1

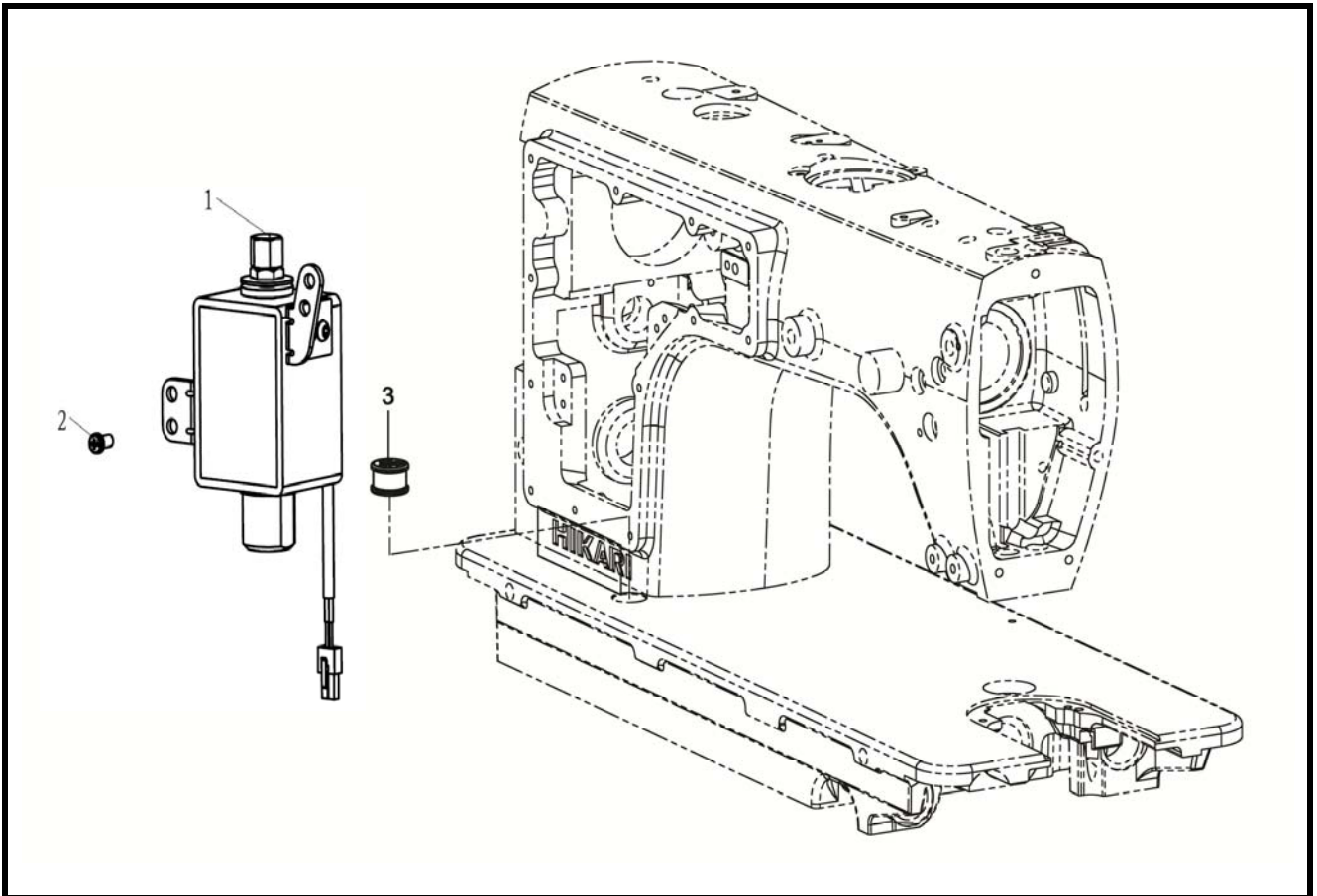
# 11.附件/Accessories



## 11.附件/Accessories

序号 Ref.No	图号 Part. No	零件名称	Name of parts	数量Qty
				H9300-7D-5
1	113.16-19	两用螺丝刀	Screw driver	1
2	101.03-11	机针DB_1-14	Needle	5
3	101.14-01	机头连接钩	Machine hinge plate asm.	2
4	101.14-02	机头连接钩座钉	Nail	4
5	101.14-03	机头连接钩座	Machine hinge plate	2
6	101.14-08	机头罩	Macgube head cover	1
7	101.03-37-02	梭心	Bobbin	3
8	101.14-09	机头支柱	Macgube rest cover	1
9	101.12-20	空气干燥剂	Air drier	1
11	101.12-01	过线架组件	Thread stand asm.	1
12	101.14-10	油箱	Oil reservoir asm.	1
13	M-02F-010	活球连杆组件	Live festival ball link asm.	1
14	KS-02F	控速器组件	Treadle asm.	1
15	21-3501932-4	十字半圆头木螺钉	Screw	4
16	128.11-01-01	上泡沫	Foam mat (top)	1
17	128.11-01-02	下泡沫	Foam mat (bottom)	1
18	128.11-01-03	中泡沫	Foam mat (middle)	1
19	128.11-01-04	泡沫盖	Foam mat (cover)	1
20	128.11-02	外箱	Outside box	1
21		附件箱清单	list	1
22	201.22-07-08-10	漏斗	funnel	1
23	103.20-108	管嘴	Grease tube	1

## 12.电磁抬压脚装置(选购件)/ Presser foot lifting set mechanism(Option parts)



## 12.电磁抬压脚装置(选购件)/ Presser foot lifting set mechanism(Option parts)

序号 Ref.No	图号 Part No	零件名称	Name of parts	数量Qty
				H9300-7D-5/AK
1	TD-02B	抬压脚电磁铁组件	Presser foot lifting asm.	1
2	01-405001223-1	螺钉	Screw	4
3	133.01-02	导线过线套	Rubber plug	1